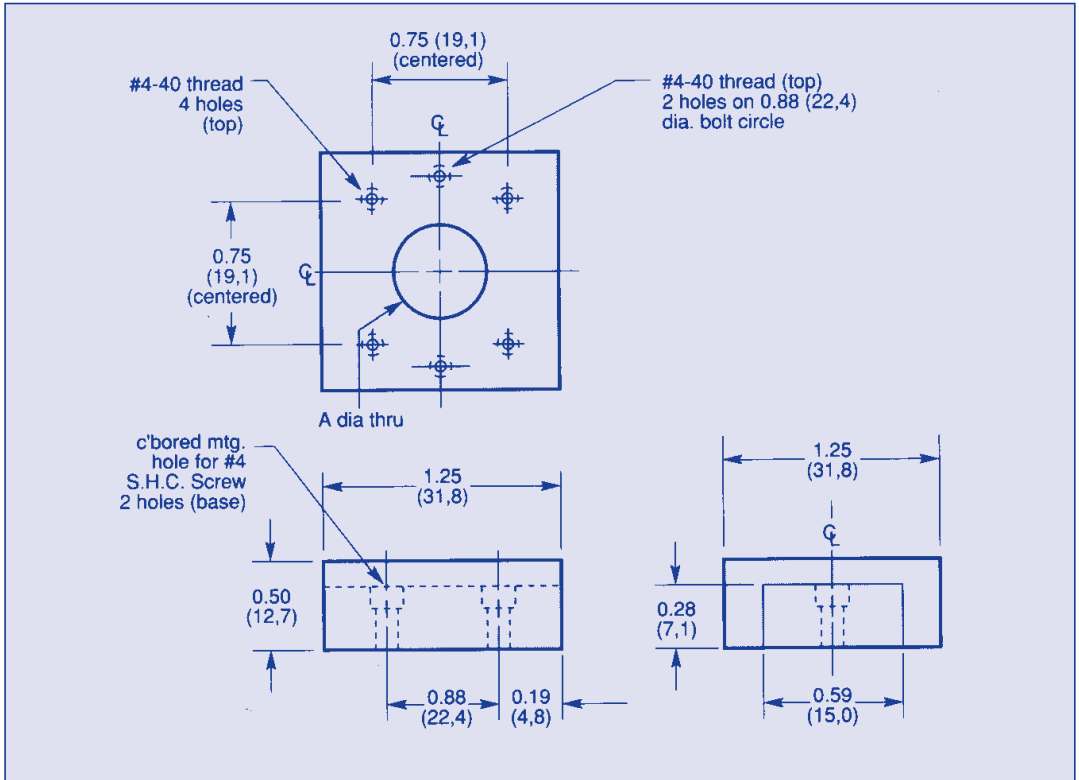


HI-PRECISION STANDARD BALL

6 LBS. LOAD CAPACITY

TRAVEL
0.5 INCH



Material: Aluminum/Stainless Steel

Specifications: Straight line accuracy .00008 in/in of travel.

Finish: Black Anodize

ORDER BY CATALOG NUMBER

Cat. No.	Travel in.	Load Lbs.	Weight Lbs.	Diameter hole A
MAX-A2-1	0.5	6	0.1	-
MAX-A2-2	0.5	6	0.1	0.25

M

Other sizes of standard ball slides available.

Special hole modifications, sizes and custom machining available.